

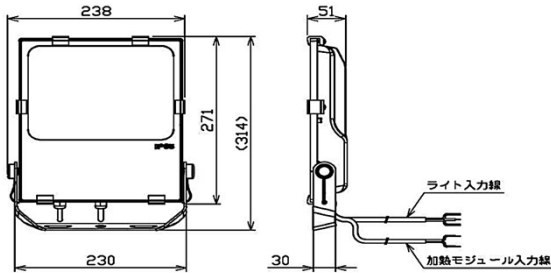
使用說明書 NLFZ系列 / User Manual NLFZ series

非常感謝您購買本公司的產品。請仔細閱讀本說明書後正確地使用本產品。

Thank you a lot for purchasing the goods of our company. Please read this manual carefully before using the goods correctly.

• NLFZ50系列使用方法 / NLFZ50 series Fixed manner

NLFZ50:



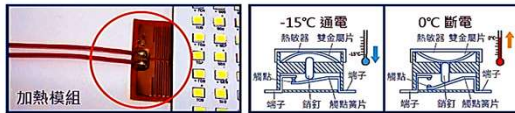
NLFZ50-AC-S

VDE H05SS-F 0.75mm² X 3C(電源) 3M

VDE H05SS-F 0.75mm² X 2C(加熱模組)3M

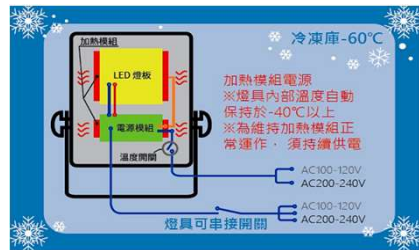
加熱模組與溫度開關

當燈源內部溫度開關感應到溫度低於-15°C時自動開啟加熱模組，當溫度高於0°C時自動關閉加熱模組。



註:初步安裝時，需先接電30分鐘後再開LED燈。

利用溫度感應點傳遞溫度至內部金屬片，因螺形金屬片熱漲冷縮產生變形位移，故利用不同溫度產生的位移來控制電路接點的開路與短路。



加熱模組輸入線端須持續供電(AC1:100~120V;AC2:200~240V)
燈具可串接開關(AC1:100~120V;AC2:200~240V)

機種(Type)	NLFZ50-AC1-S	NLFZ50-AC2-S
輸入電壓(Input Voltage)	AC100~120V	AC200~240V
電源頻率(Frequency)	50Hz/60Hz	
消耗電力(Power)	40W	40W
最大消耗功率(Heater)	70W	70W
使用溫度範圍(Temp.)	-60°C~40°C	
防水防塵等級	IP65	

• 使用方法 User Manner

- 1)本製品是使用固定架固定的照明燈具，使用前請確認固定之載具是否足以承受本燈具重量，以免會造成製品鬆脫掉落等危險。
- 2)使用前，先確認本製品是否已穩固，不會發生掉落之危險才可通電使用。
- 3)本器具可安裝於屋內外，請勿安裝於高潮濕、高粉塵、高振動等場所，以免造成本製品損壞、掉落、觸電等危險。
- 4)接地工程請遵照電工法規，接地不完全的情況會有觸電等危險發生。
- 5)配線時，請確實將電線火線(L)與中性線(N)接於無熔絲開關請確保關閉時，火線(L)與中性線(N)皆已斷電，避免造成燈具損壞。
- 6)施工時，必需先將電源斷電，以免造成觸電等危險發生。
- 7)勿將電動機、工作機等強電設備與本製品使用同一管路配線

請確實分開電源配線，避免造成危險或燈光閃爍等。

- 1)This product is a lighting lamp which is mainly hold up by metal bar.To avoid products dropping, please make sure the holder can hold up this product.
- 2) Before power on, please make sure this product has been fixed properly.
- 3)This is an indoor/outdoor lighting lamp.Don't install the product in the high humidity,dusty,vibration place in order to avoid damage, dropping or electric shock.
- 4)Connect grounding line to earth, or it may cause electric shock and some damage to this product.
- 5)Need 2P2S switch to put Line and Neutral in order to switch off them simultaneously.
- 6)Please make sure power source is off while this product is installing.
- 7)Don't use the same breaker with high power consumption equipment. Use separate power line source breaker for this product to avoid damage or flash of light.

燈具電源線出線方式Power cord:

(a) 直接三蕊出線Silicone coated wire

棕色 Brown(AC), L

藍色 Blue(AC), N

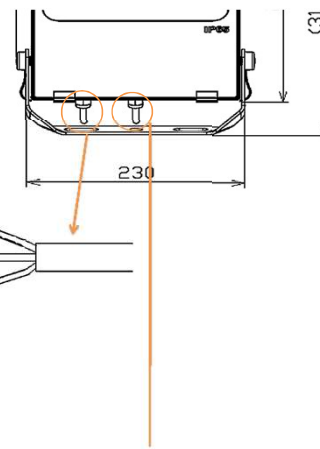
綠 Green(接地線 Grounding)

加熱模組出現方式Power cord for heater:

(b) 直接二蕊出線Silicone coated wire

棕色 Brown(AC), L

藍色 Blue(AC), N



• 警告

- 1) 請勿拆解本產品進行修理或分析。
請避免拉扯電線、鬆開螺絲等行為，以免造成防水不良或產品故障。
- 2) 本產品為對靜電極其敏感的電子產品。
使用時請務必做好靜電、突波的防範。
- 3) 請先確認電源為關閉狀態後再使用附屬的標準電線進行接線。
為避免接錯線，請務必仔細確認電壓後再接線。

• 注意

- 1) LED素子的光本身會有色差。即使是同一型號，每個商品都會有些視覺上的顏色差異。
- 2) 請務必遵守使用溫度範圍(-60°C~40°C)，於高溫環境下使用會造成本產品壽命縮減。
- 3) 請勿存放、使用於高震動、多撞擊的地方。
- 4) 直視發光面可能會造成眼睛受傷。
請勿直視本產品或將本產品照向他人眼睛。
- 5) 避免於腐蝕性高的冷卻劑環境中使用，避免電線腐蝕、漏電等問題的發生。

6) 避免安裝於無避雷防護的建築物內。

• Warning

- 1) Please do not to dismantle this product to fix or analyze.
Please do not pulling wires, lossening screws...etc actions, in order to avoid loosing waterproof function and to have product failure.
- 2) This product is a electronical good which is sensitive to static electricity, please do the protection of satic electricity and surge while using.
- 3) Please confirm to swtich the power to off status first, then using the attached standard wire to install.
For avoiding installing wires wrong, please be sure to check the DC and deputy polarity, or AC and the voltage, then installing afterwards.

• Attention

- 1) There is colour difference in the body of LED prime sub-light.
Even if it is the same type, every single product has slightly visual colour difference.
- 2) Please be sure to obey the use range of temperature(-60°C~40°C).
- 3) Please do not to place and use in the high vibration and bump place.
- 4) It might cause eyes damaged, if you look at the lighting surface directly.
Please do not to look at this product directly or take it to light other people's eyes.
- 5) Using in the environment of high corrosive coolant, please check the corrosivity to avoid happening wire corrosion, electricity leakage...etc.
- 6) Using in the architecture with lightning conductor.

日機株式会社

<https://www.nikki-tr.co.jp>

〒550-0003大阪府西區京町堀二丁目6-28

TEL:06-6225-2855 FAX:06-6225-2856